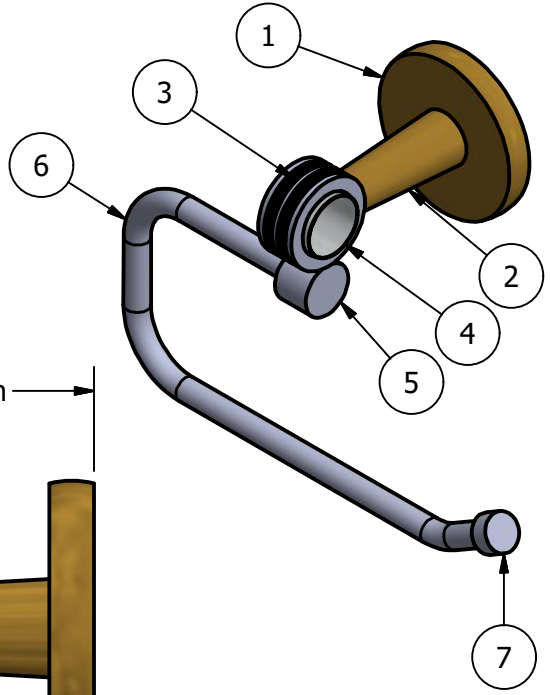


2

1

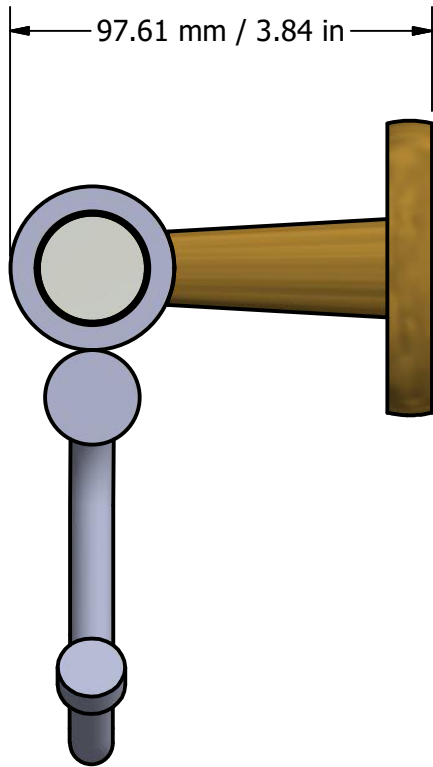
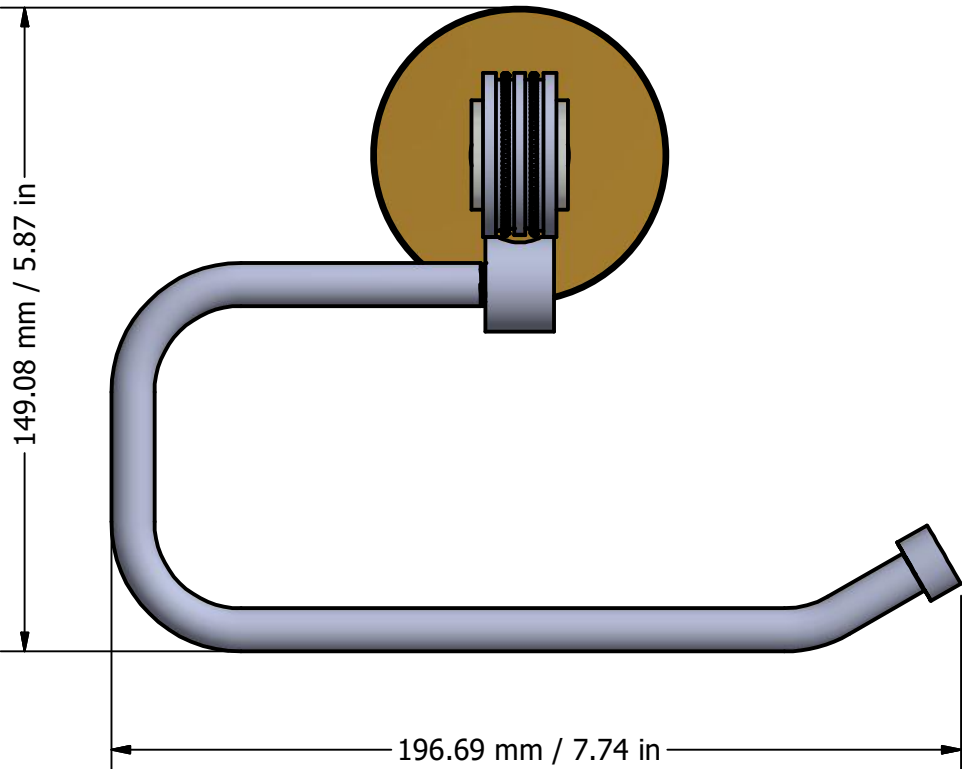
PARTS LIST

ITEM	QTY	PART NUMBER	DESCRIPTION
1	1	BPRD	BACKPLATE
2	1	CL-TB	POST
3	1	RGDTD-1	RING WITH NEW SIZE HOLE
4	1	AC-HHUB	ACRYLIC HUB
5	1	HB2T-78	HUB
6	1	HKETS-38	HOOK
7	1	CARD-58	CAP



B

B



A

A

APPROVED FOR PRODUCTION
 By: RICHARD PAUL
 Date: 10-15-18

UNLESS OTHERWISE SPECIFIED	
.X	± .3mm
.XX	± .15mm
.XXX	± .008mm

UNIT IS IN MM.

COPYRIGHT @ALLIEDBRASS 2018	CHECKED	10-06-18	P.D.
	APPROVED	10-06-18	R.A.

DRAWN	10-06-18	IM
-------	----------	----

MATERIAL:	BRASS
DESCRIPTION:	Clearview Collection European Style Toilet Tissue Holder w/ Dotted Accent



FINISH	TBD
QTY	TBD
DRAWING NO.	CV-24Ed
SCALE	1.5:1 SHEET: 1 OF 1
REV	0

2

1

2

1